

RED SIDE STROBE LIGHTS

36<sup>9</sup>/<sub>16</sub>"

24" X 24" ESCAPE HATCH

SOUND CANNON

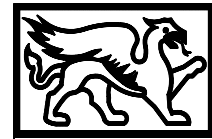
REMOTE CONTROL CAMERA

MAN HOLE AND WATER FILL

UNDER BODY WASH DOWN SYSTEM

UNDER FLOOR STORAGE

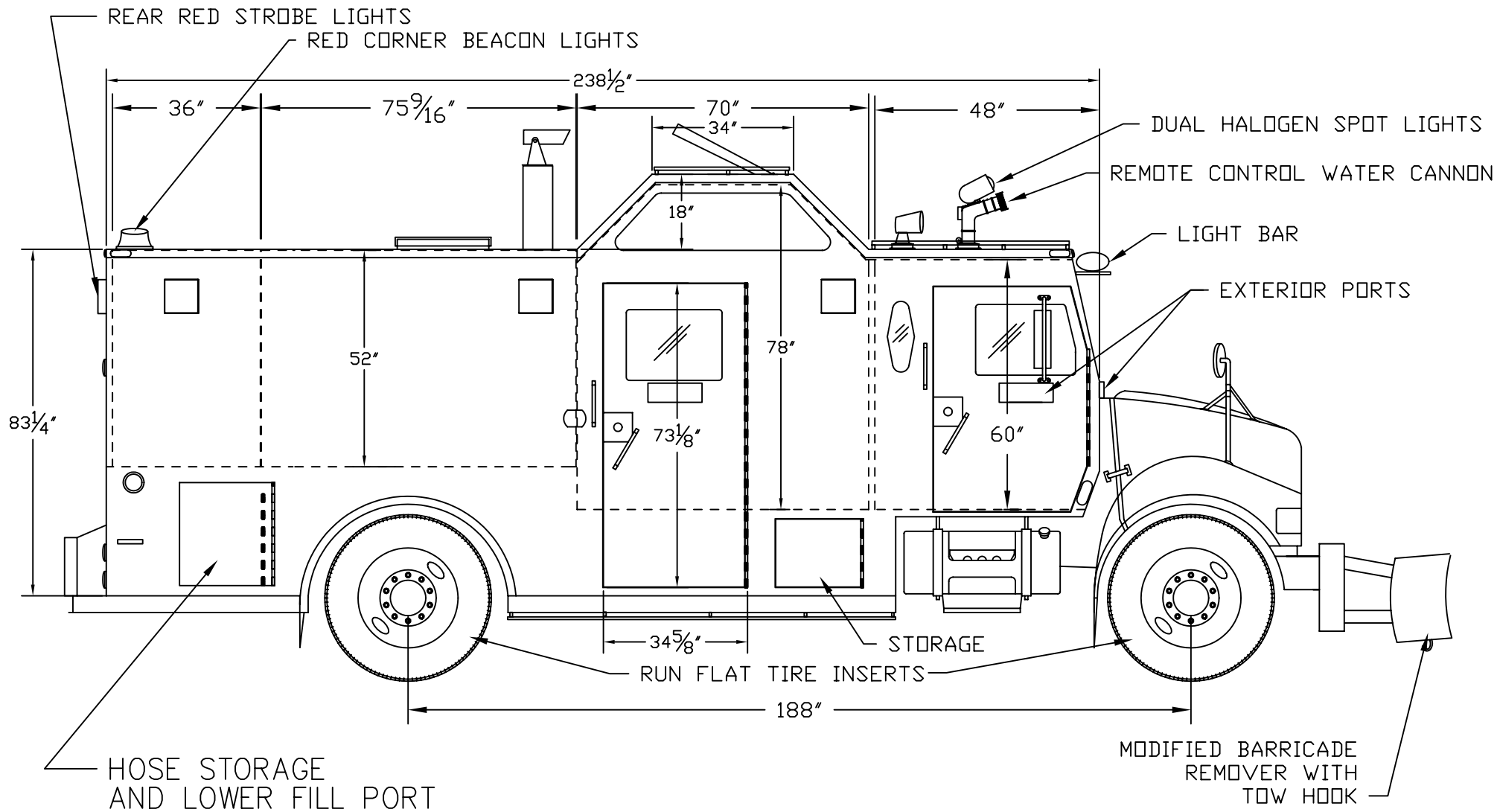
DRIVERS SIDE



**GRIFFIN**  
 INCORPORATED  
 6562 HIGHWAY 178 WEST • BYHALIA, MS 38611

THE INFORMATION CONTAINED IN THIS DRAWING IS THE EXCLUSIVE PROPERTY OF GRIFFIN, INC., BYHALIA, MS AND MAY NOT BE REPRODUCED IN ANY MANNER, DISCUSSED WITH, OR SUBMITTED TO ANY PERSON OR COMPANY WITHOUT PRIOR WRITTEN APPROVAL FROM AN AUTHORIZED REPRESENTATIVE OF GRIFFIN, INC.

DRAWING NAME:	
DWG. NO.:	DATE:
APPRVD.:	DATE:



PASSENGERS SIDE



**GRIFFIN**

INCORPORATED

6562 HIGHWAY 178 WEST • BYHALIA, MS 38611

THE INFORMATION CONTAINED IN THIS DRAWING IS THE EXCLUSIVE PROPERTY OF GRIFFIN, INC., BYHALIA, MS AND MAY NOT BE REPRODUCED IN ANY MANNER, DISCUSSED WITH, OR SUBMITTED TO ANY PERSON OR COMPANY WITHOUT PRIOR WRITTEN APPROVAL FROM AN AUTHORIZED REPRESENTATIVE OF GRIFFIN, INC.

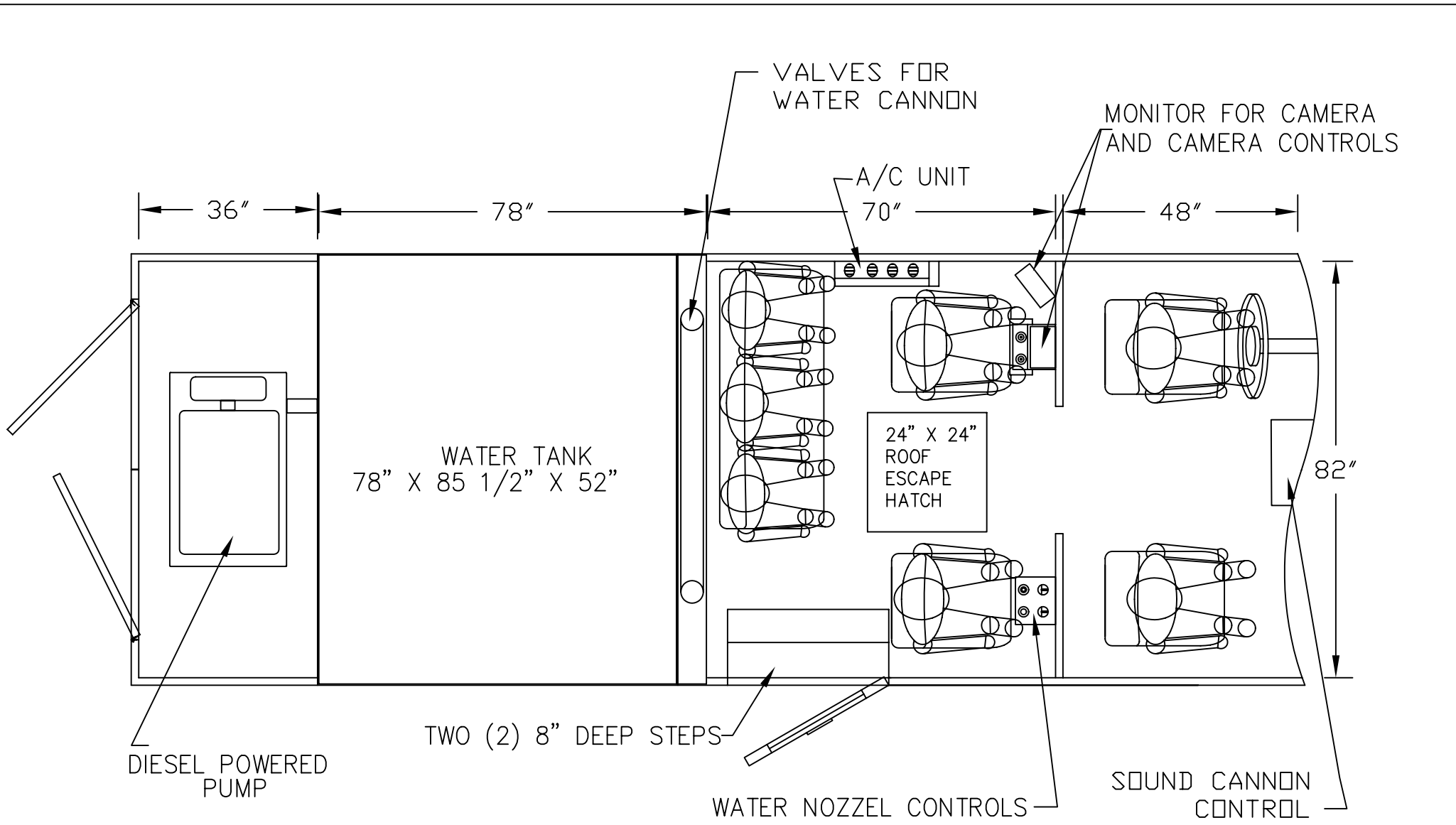
DRAWING NAME:

DWG. NO.:

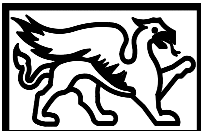
APPRVD.:

DATE:

DATE:



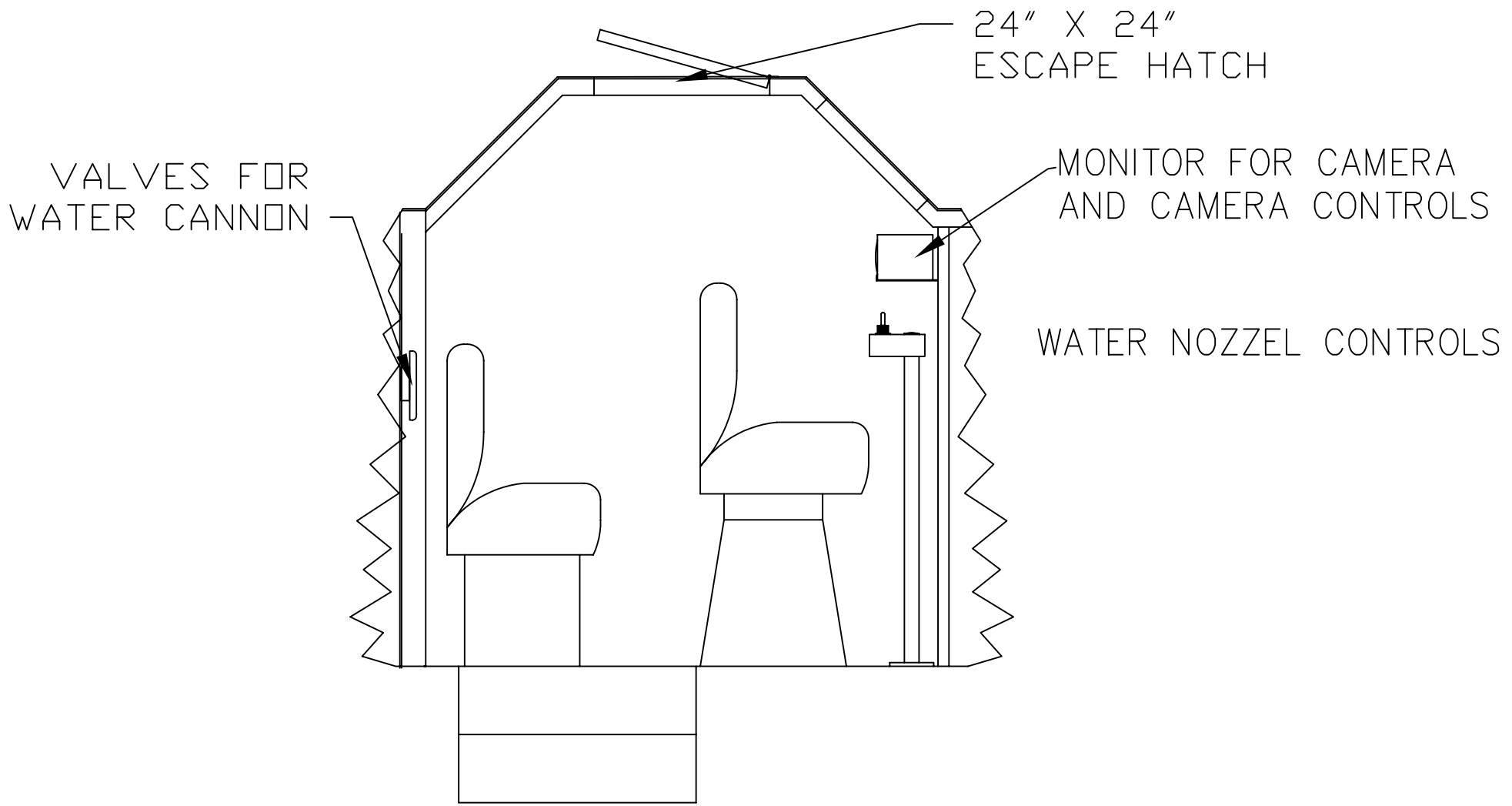
# FLOOR PLAN



**GRIFFIN**  
 INCORPORATED  
 6562 HIGHWAY 178 WEST • BYHALIA, MS 38611

THE INFORMATION CONTAINED IN THIS DRAWING IS THE EXCLUSIVE PROPERTY OF  
 GRIFFIN, INC., BYHALIA, MS AND MAY NOT BE REPRODUCED IN ANY MANNER,  
 DISCUSSED WITH, OR SUBMITTED TO ANY PERSON OR COMPANY WITHOUT PRIOR WRITTEN  
 APPROVAL FROM AN AUTHORIZED REPRESENTATIVE OF GRIFFIN, INC.

DRAWING NAME:	
DWG. NO.:	DATE:
APPRVD.:	DATE:



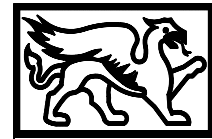
VALVES FOR  
WATER CANNON

24" X 24"  
ESCAPE HATCH

MONITOR FOR CAMERA  
AND CAMERA CONTROLS

WATER NOZZEL CONTROLS

OPERATION CENTER



**GRIFFIN**  
INCORPORATED  
6562 HIGHWAY 178 WEST • BYHALIA, MS 38611

THE INFORMATION CONTAINED IN THIS DRAWING IS THE EXCLUSIVE PROPERTY OF GRIFFIN, INC., BYHALIA, MS AND MAY NOT BE REPRODUCED IN ANY MANNER, DISCUSSED WITH, OR SUBMITTED TO ANY PERSON OR COMPANY WITHOUT PRIOR WRITTEN APPROVAL FROM AN AUTHORIZED REPRESENTATIVE OF GRIFFIN, INC.

DRAWING NAME:	
DWG. NO.:	DATE:
APPRVD.:	DATE: